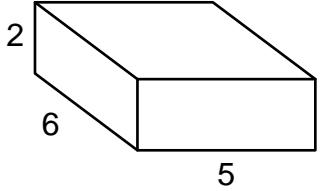


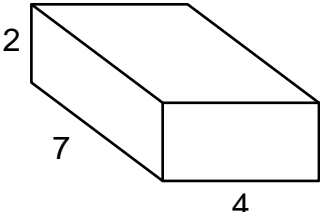
Calculating Volume

Name: _____ Date: _____

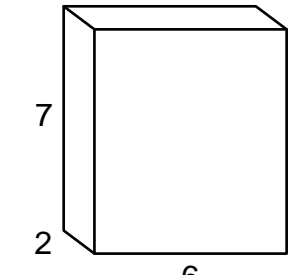
Calculate the volume of each solid.

(1) 

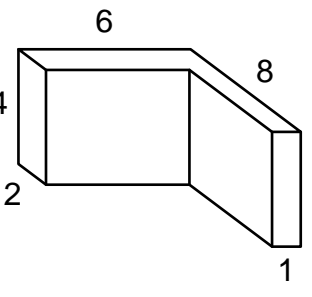
Volume: _____

(2) 

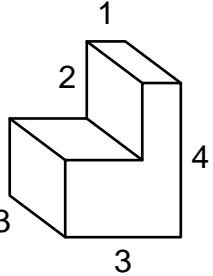
Volume: _____

(3) 

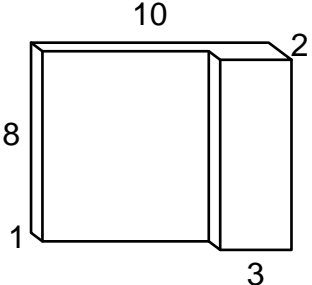
Volume: _____

(4) 

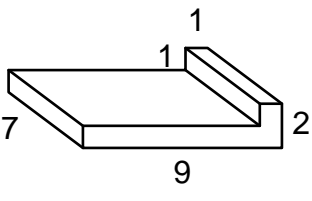
Volume: _____

(5) 

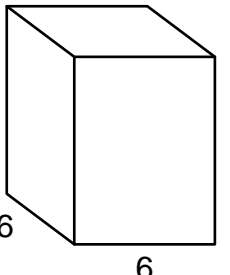
Volume: _____

(6) 

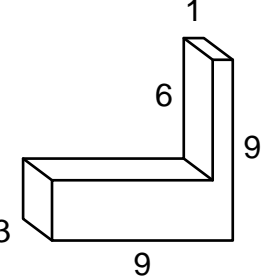
Volume: _____

(7) 

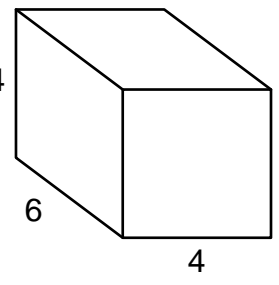
Volume: _____

(8) 

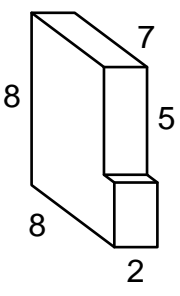
Volume: _____

(9) 

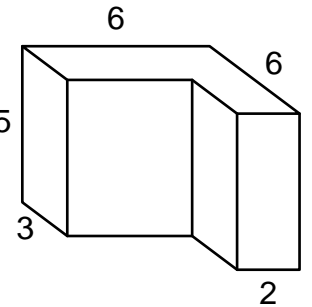
Volume: _____

(10) 

Volume: _____

(11) 

Volume: _____

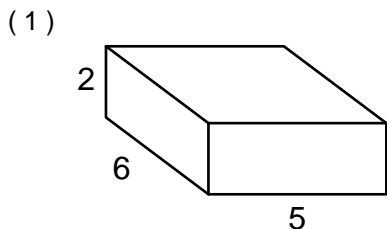
(12) 

Volume: _____

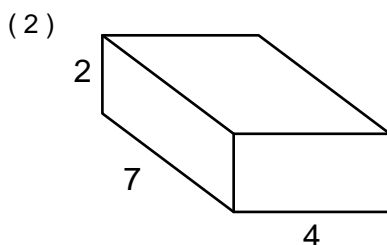
Calculating Volume

ANSWER KEY

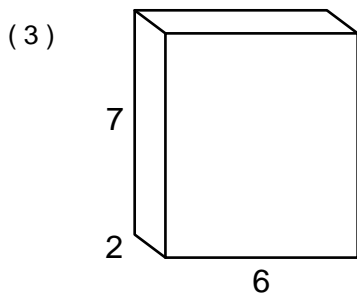
Calculate the volume of each solid.



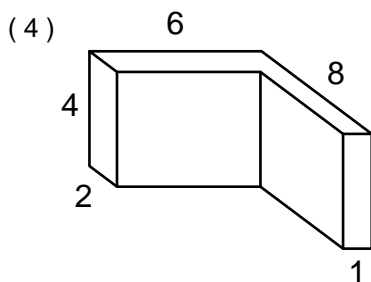
Volume: 60



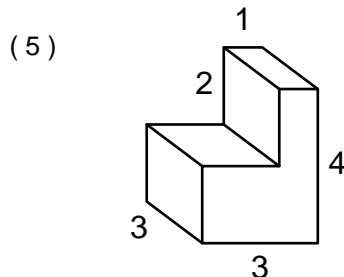
Volume: 56



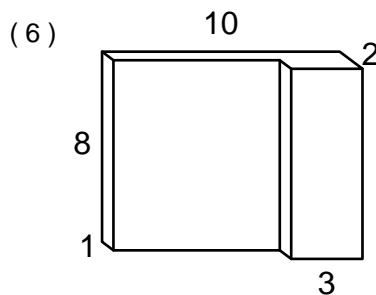
Volume: 84



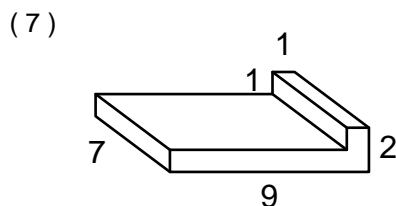
Volume: 72



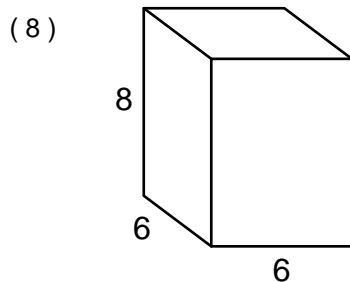
Volume: 24



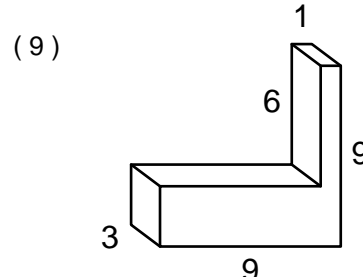
Volume: 104



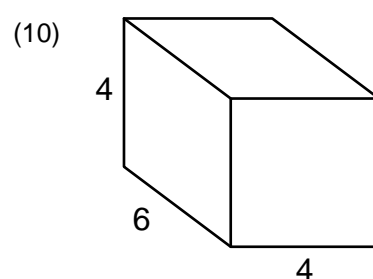
Volume: 70



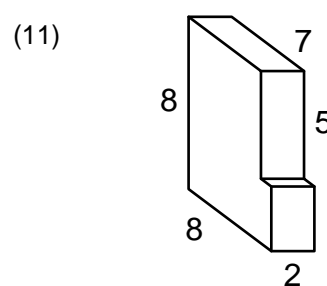
Volume: 288



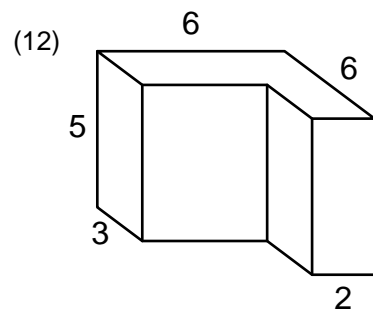
Volume: 99



Volume: 96



Volume: 118



Volume: 120