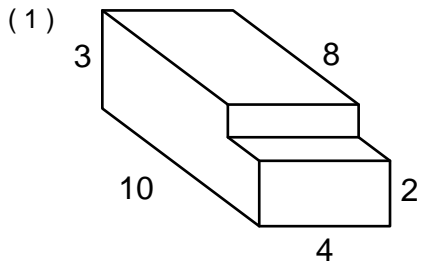


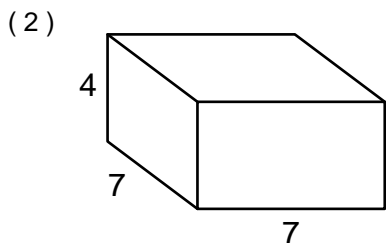
Calculating Volume

Name: _____ Date: _____

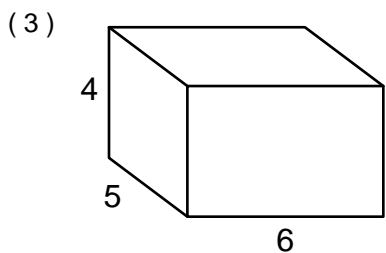
Calculate the volume of each solid.



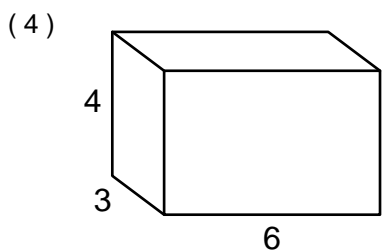
Volume: _____



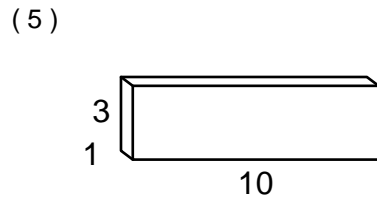
Volume: _____



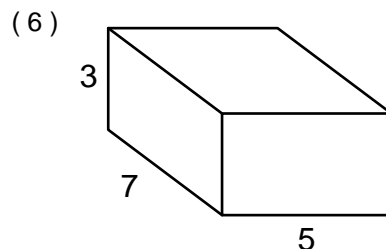
Volume: _____



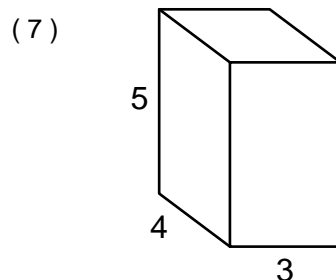
Volume: _____



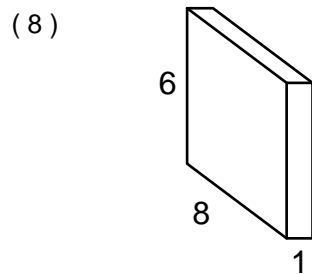
Volume: _____



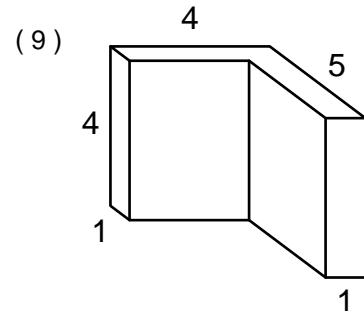
Volume: _____



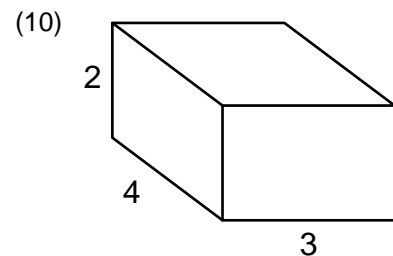
Volume: _____



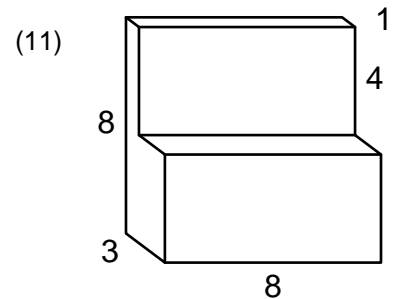
Volume: _____



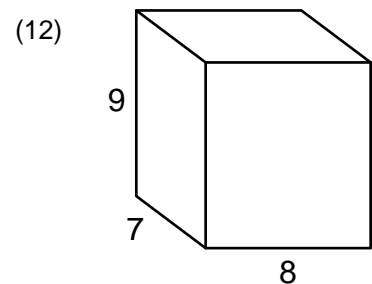
Volume: _____



Volume: _____



Volume: _____

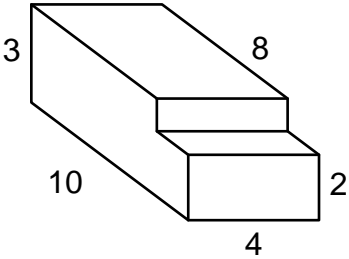


Volume: _____

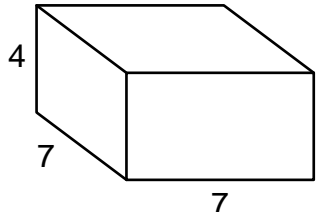
Calculating Volume

ANSWER KEY

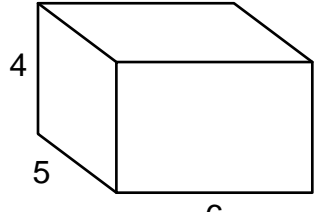
Calculate the volume of each solid.

(1) 

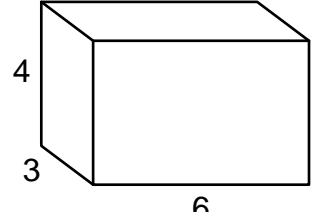
Volume: 112

(2) 

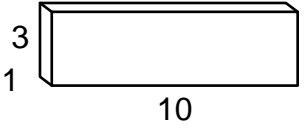
Volume: 196

(3) 

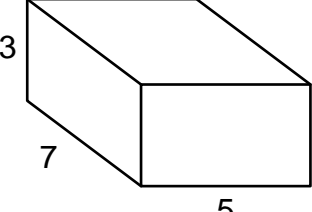
Volume: 120

(4) 

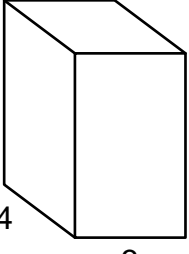
Volume: 72

(5) 

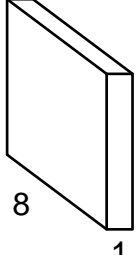
Volume: 30

(6) 

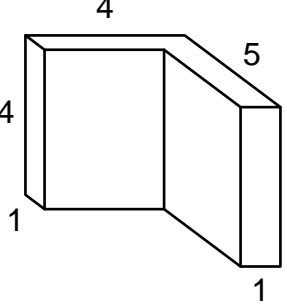
Volume: 105

(7) 

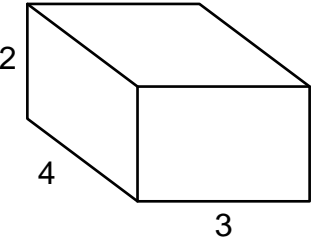
Volume: 60

(8) 

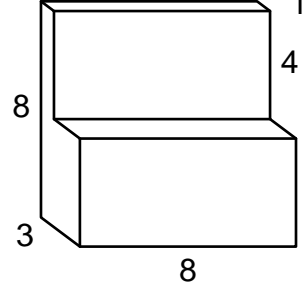
Volume: 48

(9) 

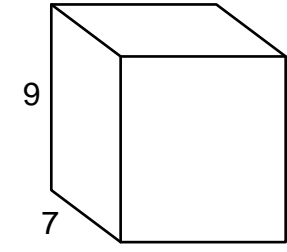
Volume: 32

(10) 

Volume: 24

(11) 

Volume: 128

(12) 

Volume: 504