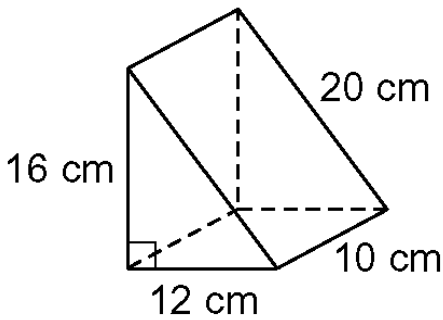


# Volume of Triangular Prisms

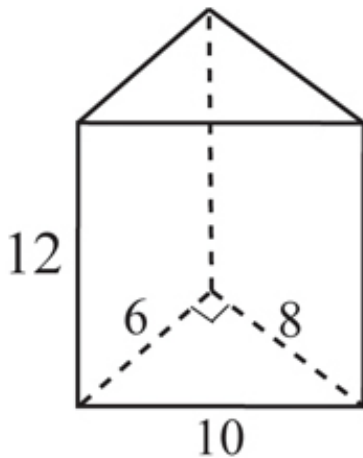


<b>Sidebar to Success!</b>	
----------------------------	--

<b>Volume or Surface Area</b>	
<b>Name of Shape</b>	
<b>Formula</b>	
<b>Shape of Base (shade it!)</b>	
<b><i>B</i> (area of base)</b>	
<b><i>h</i> (height of prism)</b>	

<b>Now Plug and Chug!!</b>
----------------------------

Formula Cheat Sheet  
 Volume of Triangular  
 Prism:  $V = Bh$



<b>Sidebar to Success!</b>	
----------------------------	--

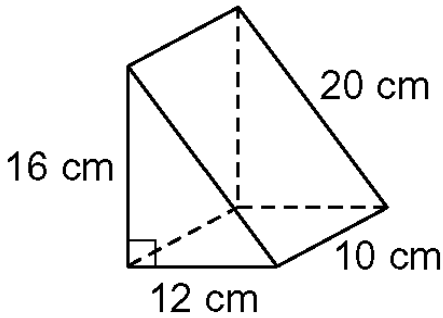
<b>Volume or Surface Area</b>	
<b>Name of Shape</b>	
<b>Formula</b>	
<b>Shape of Base (shade it!)</b>	
<b><i>B</i> (area of base)</b>	
<b><i>h</i> (height of prism)</b>	

<b>Now Plug and Chug!!</b>
----------------------------

**DON'T FORGET** capital letters on the  
 formula chart mean you have to do  
 something before you plug the number in!

# ANSWER KEY

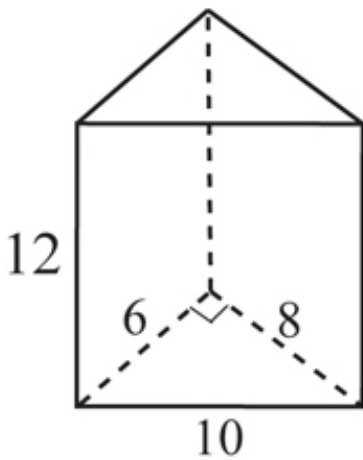
## Volume of Triangular Prisms



Sidebar to Success!	
Volume or Surface Area	Volume
Name of Shape	Triangular Prism
Formula	$V = Bh$
Shape of Base (shade it!)	Triangle
$B$ (area of base)	$(16 \times 12)/2 = 96 \text{ cm}^2$
$h$ (height of prism)	10 cm
Now Plug and Chug!!	

**960 cm<sup>3</sup>**

Formula Cheat Sheet  
 Volume of Triangular Prism:  $V = Bh$



Sidebar to Success!	
Volume or Surface Area	Volume
Name of Shape	Triangular Prism
Formula	$V = Bh$
Shape of Base (shade it!)	Triangle
$B$ (area of base)	$(6 \times 8)/2 = 24 \text{ un}^2$
$h$ (height of prism)	12 un
Now Plug and Chug!!	

**288 un<sup>3</sup>**

DON'T FORGET capital letters on the formula chart mean you have to do something before you plug the number in!