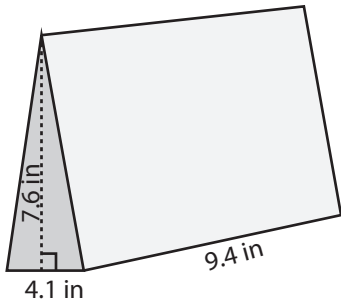


Volume of Triangular Prism

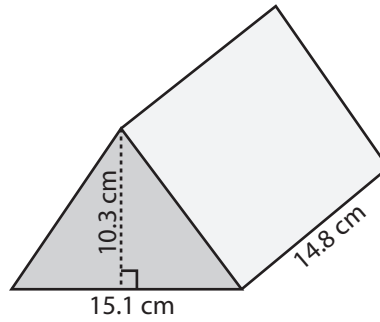
Find the volume of each triangular prism. Round the answer to nearest tenth.

1)



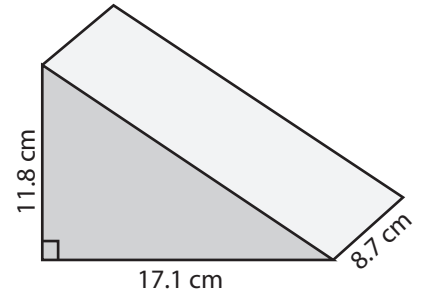
Volume = _____

2)



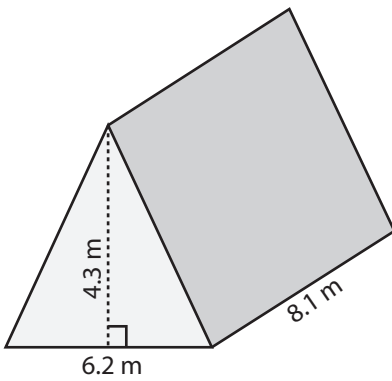
Volume = _____

3)



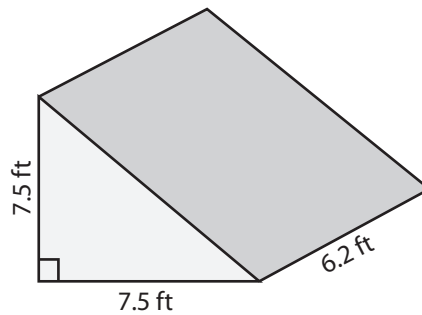
Volume = _____

4)



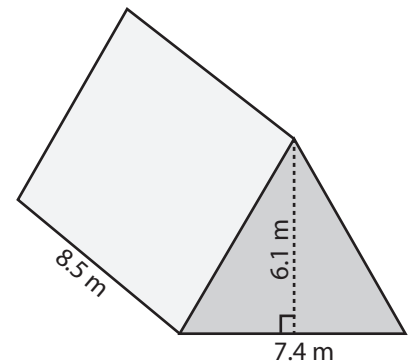
Volume = _____

5)



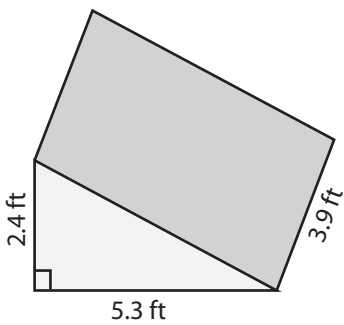
Volume = _____

6)



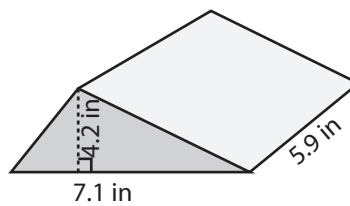
Volume = _____

7)



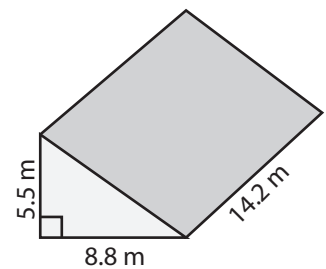
Volume = _____

8)



Volume = _____

9)

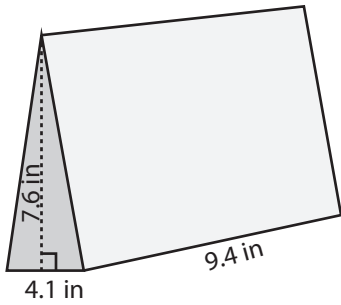


Volume = _____

Answer Key

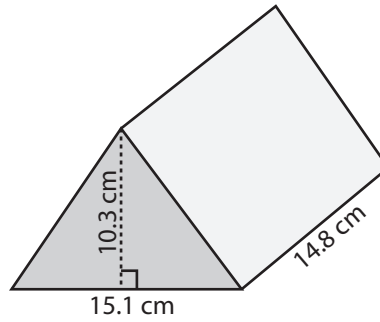
Find the volume of each triangular prism. Round the answer to nearest tenth.

1)



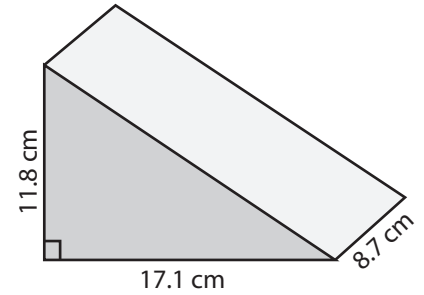
Volume = 146.5 in³

2)



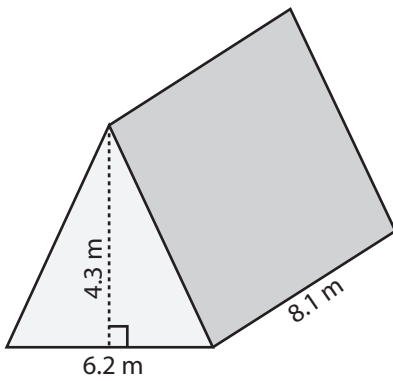
Volume = 1150.9 cm³

3)



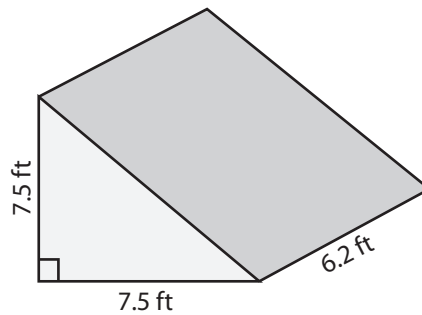
Volume = 877.7 cm³

4)



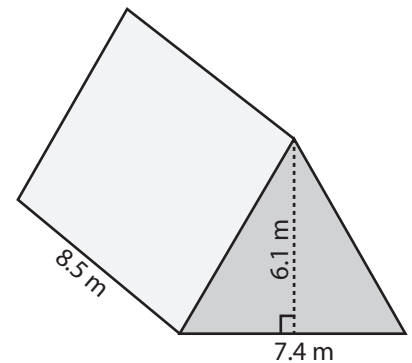
Volume = 108 m³

5)



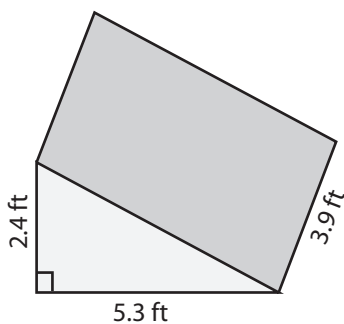
Volume = 174.4 ft³

6)



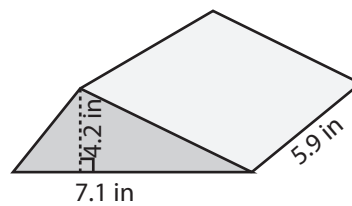
Volume = 191.8 m³

7)



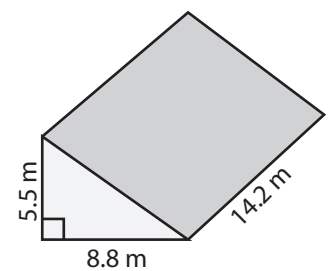
Volume = 24.8 ft³

8)



Volume = 88 in³

9)



Volume = 343.6 m³