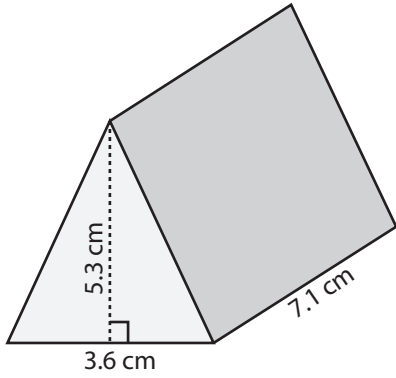


Volume of Triangular Prism

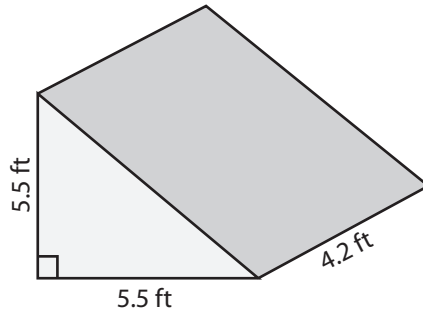
Find the volume of each triangular prism. Round the answer to nearest tenth.

1)



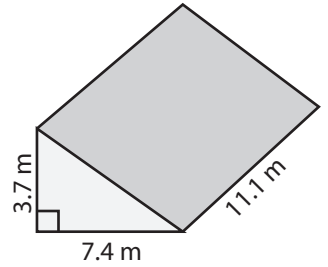
Volume = _____

2)



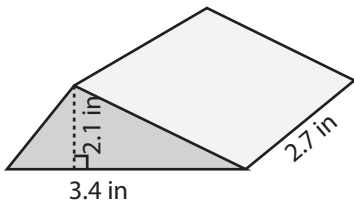
Volume = _____

3)



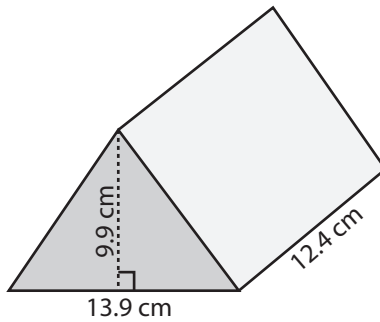
Volume = _____

4)



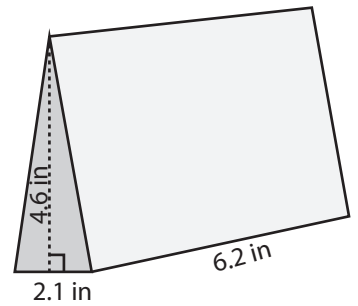
Volume = _____

5)



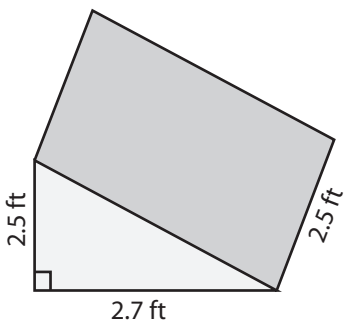
Volume = _____

6)



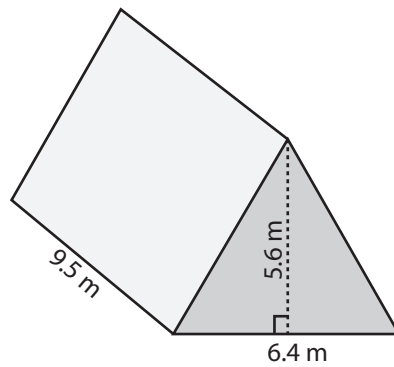
Volume = _____

7)



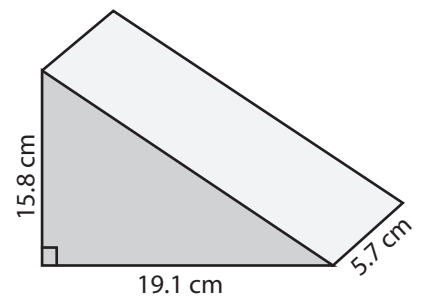
Volume = _____

8)



Volume = _____

9)

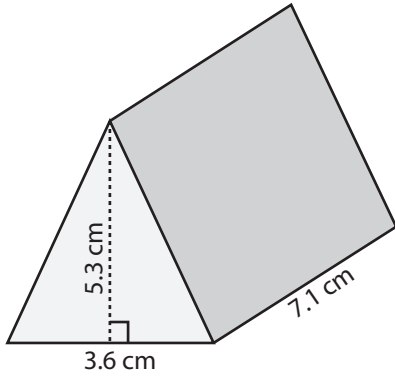


Volume = _____

Answer Key

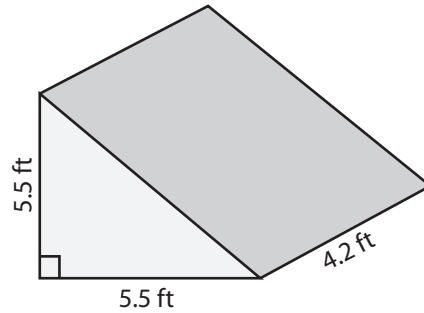
Find the volume of each triangular prism. Round the answer to nearest tenth.

1)



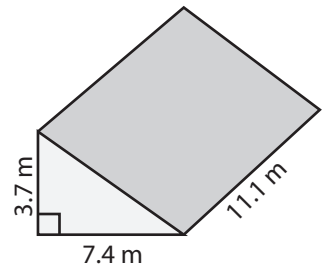
Volume = 67.7 cm³

2)



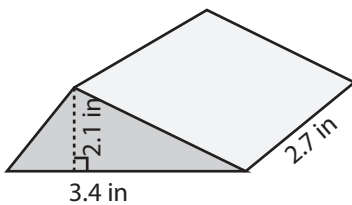
Volume = 63.5 ft³

3)



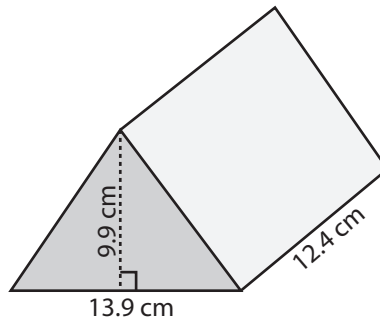
Volume = 152 m³

4)



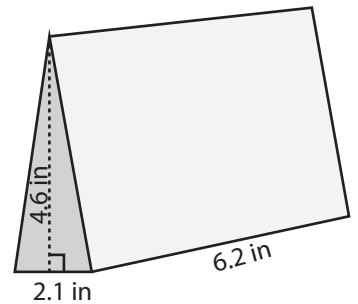
Volume = 9.6 in³

5)



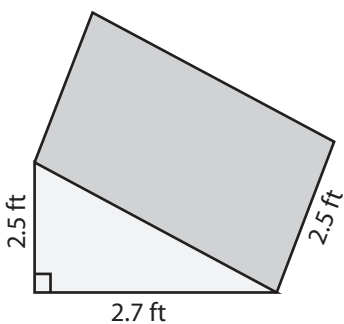
Volume = 853.2 cm³

6)



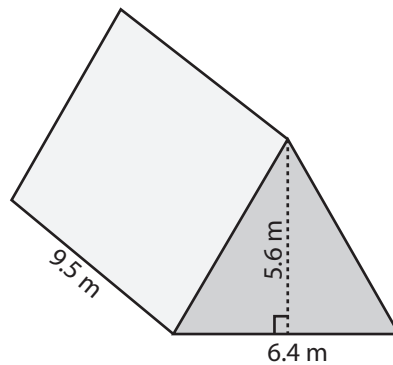
Volume = 29.9 in³

7)



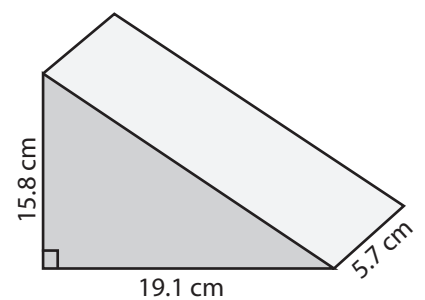
Volume = 8.4 ft³

8)



Volume = 170.2 m³

9)



Volume = 860.1 cm³