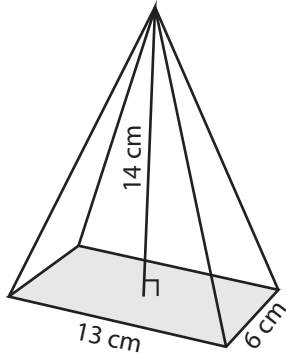


Volume of Rectangular Pyramid

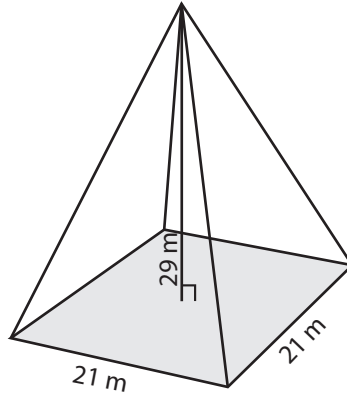
Find the volume of each rectangular pyramid. Round the answer to two decimal places.

1)



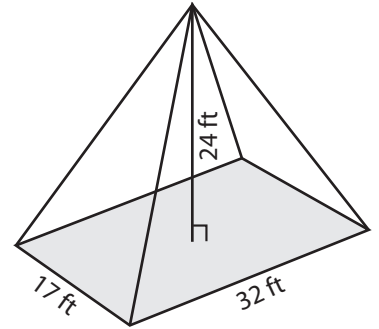
Volume = _____

2)



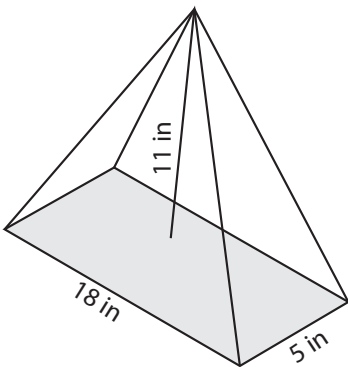
Volume = _____

3)



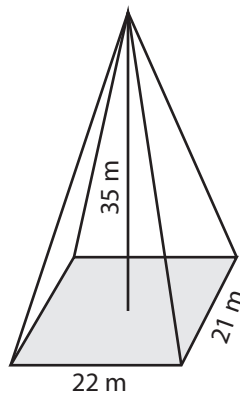
Volume = _____

4)



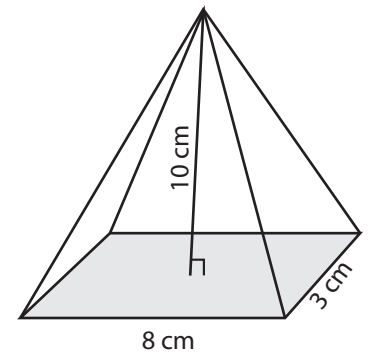
Volume = _____

5)



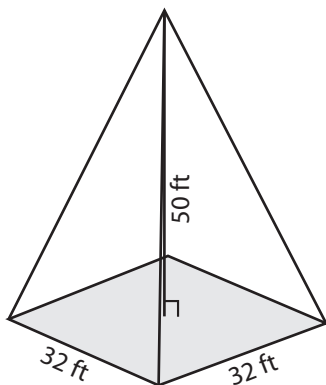
Volume = _____

6)



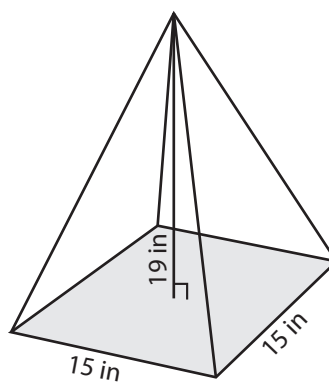
Volume = _____

7)



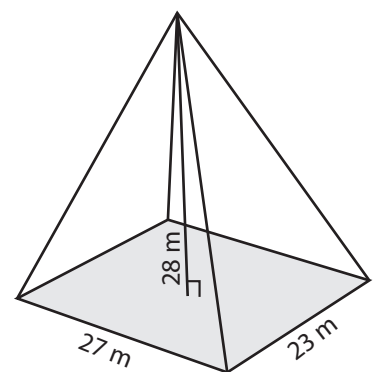
Volume = _____

8)



Volume = _____

9)

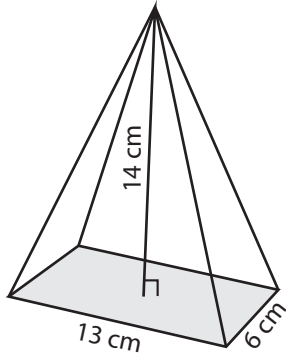


Volume = _____

Answer Key

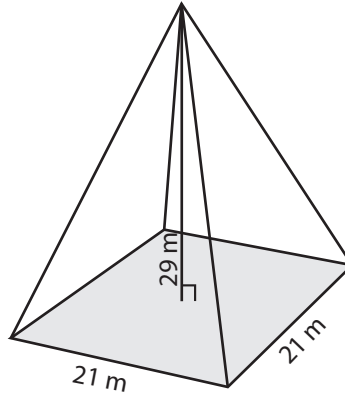
Find the volume of each rectangular pyramid. Round the answer to two decimal places.

1)



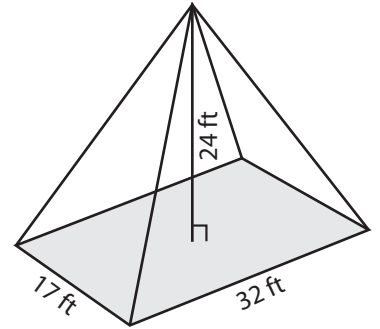
Volume = 364 cm³

2)



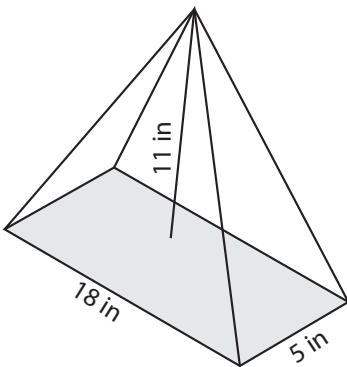
Volume = 4263 m³

3)



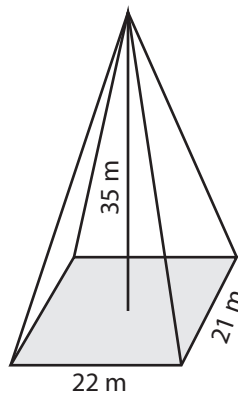
Volume = 4352 ft³

4)



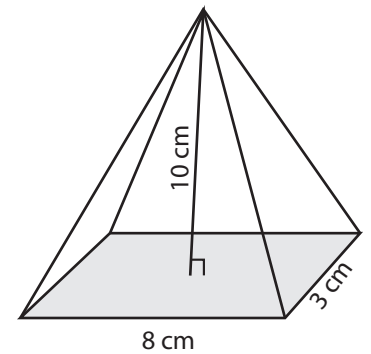
Volume = 330 in³

5)



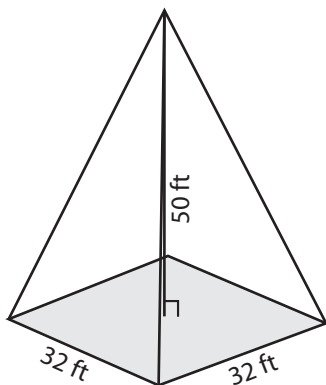
Volume = 5390 m³

6)



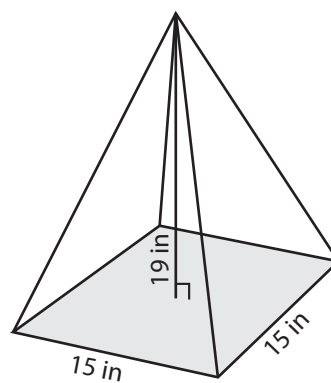
Volume = 80 cm³

7)



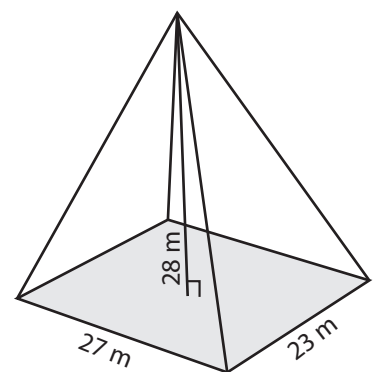
Volume = 17066.67 ft³

8)



Volume = 1425 in³

9)



Volume = 5796 m³