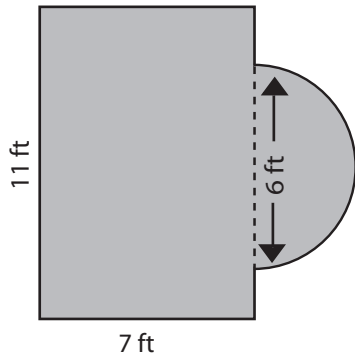


**Area - Compound Shapes**

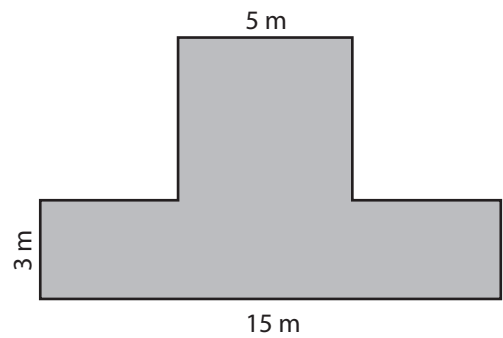
Find the area of each figure. Round the answer to 2 decimal places if necessary.

1)



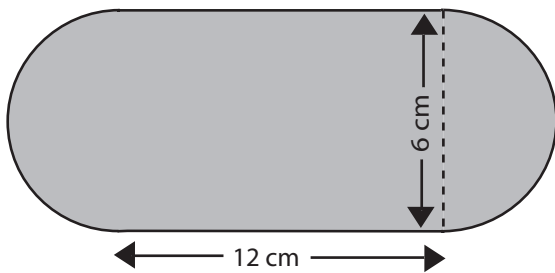
Area = \_\_\_\_\_

2)



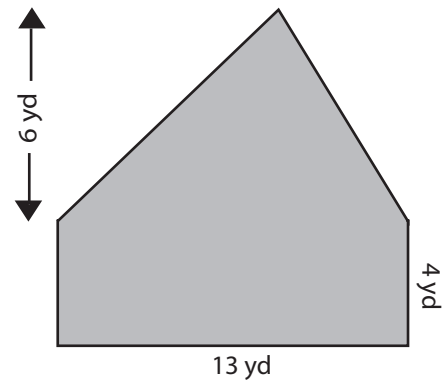
Area = \_\_\_\_\_

3)



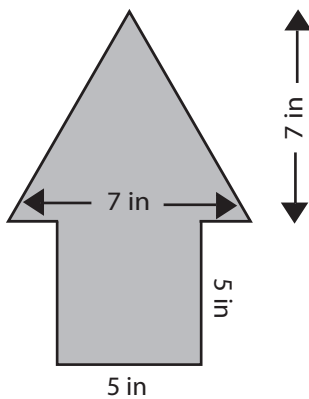
Area = \_\_\_\_\_

4)



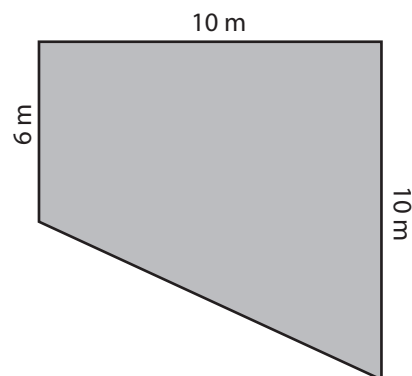
Area = \_\_\_\_\_

5)



Area = \_\_\_\_\_

6)

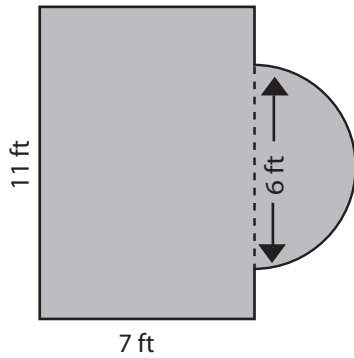


Area = \_\_\_\_\_

**Answer Key**

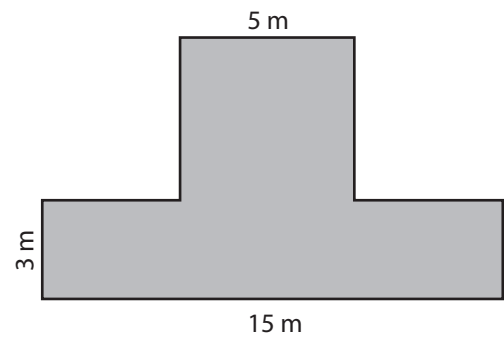
Find the area of each figure. Round the answer to 2 decimal places if necessary.

1)



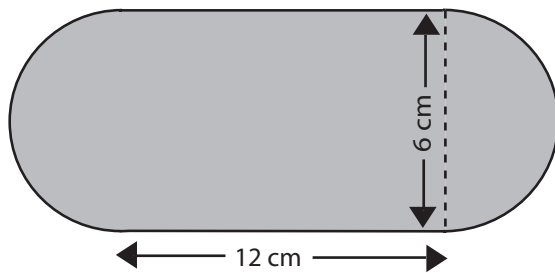
$$\text{Area} = \underline{91.13 \text{ ft}^2}$$

2)



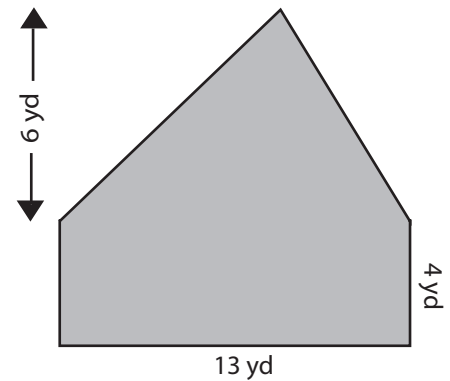
$$\text{Area} = \underline{70 \text{ m}^2}$$

3)



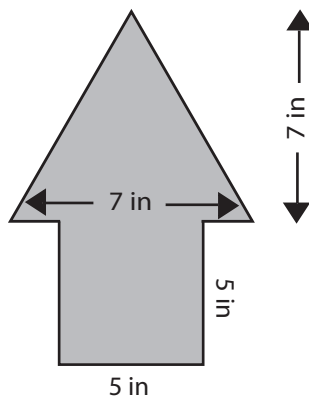
$$\text{Area} = \underline{100.26 \text{ cm}^2}$$

4)



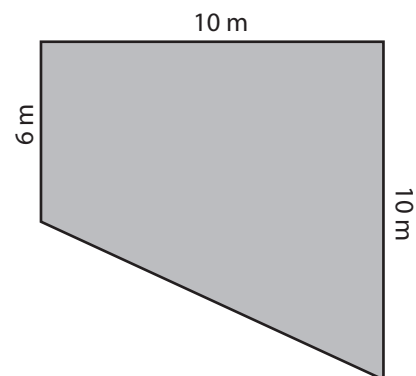
$$\text{Area} = \underline{91 \text{ yd}^2}$$

5)



$$\text{Area} = \underline{49.5 \text{ in}^2}$$

6)



$$\text{Area} = \underline{80 \text{ m}^2}$$