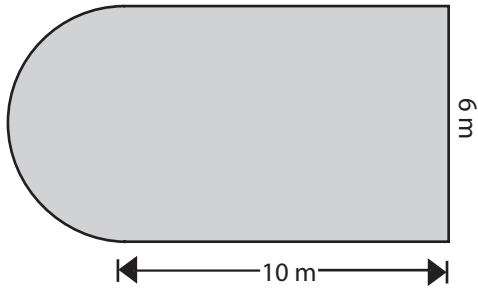


**Area - Compound Shapes**

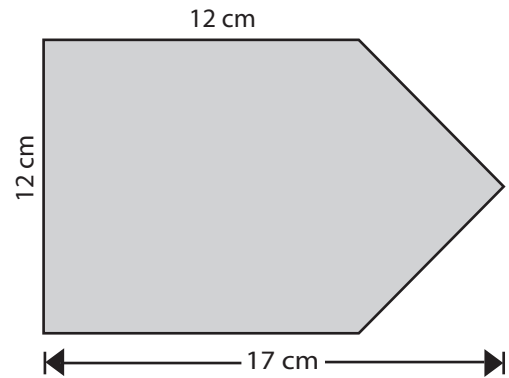
Find the area of each figure. Round the answer to 2 decimal places if necessary.

1)



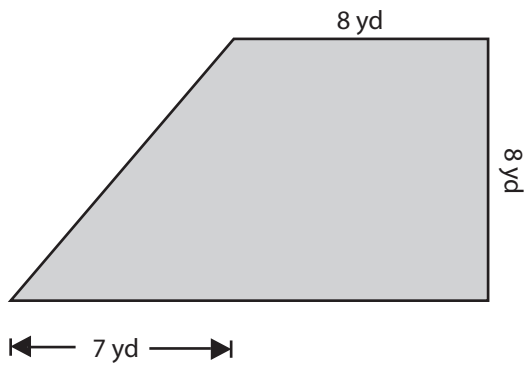
Area = \_\_\_\_\_

2)



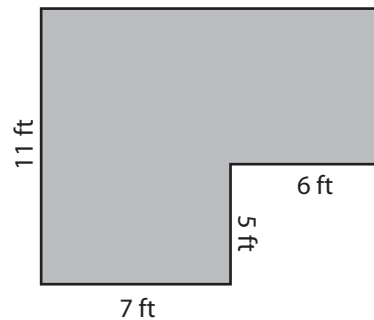
Area = \_\_\_\_\_

3)



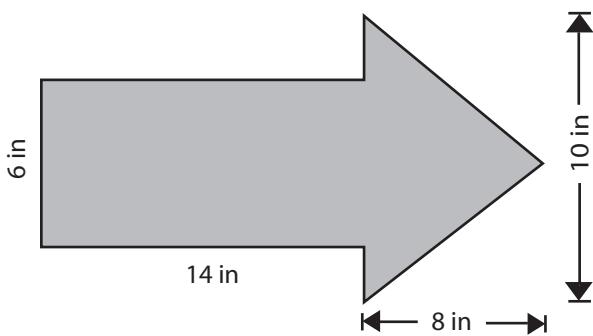
Area = \_\_\_\_\_

4)



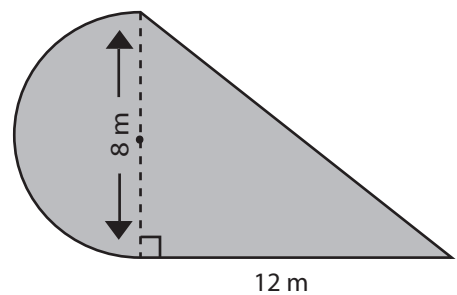
Area = \_\_\_\_\_

5)



Area = \_\_\_\_\_

6)

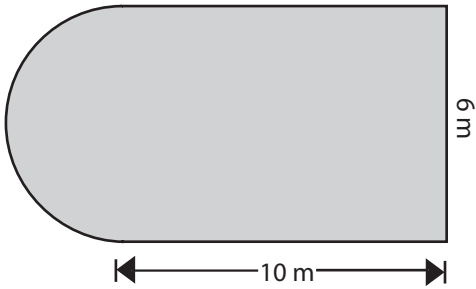


Area = \_\_\_\_\_

### Answer Key

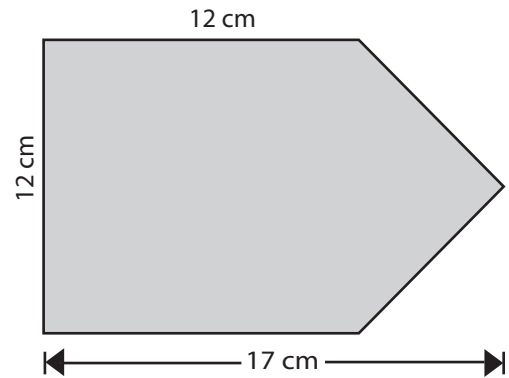
Find the area of each figure. Round the answer to 2 decimal places if necessary.

1)



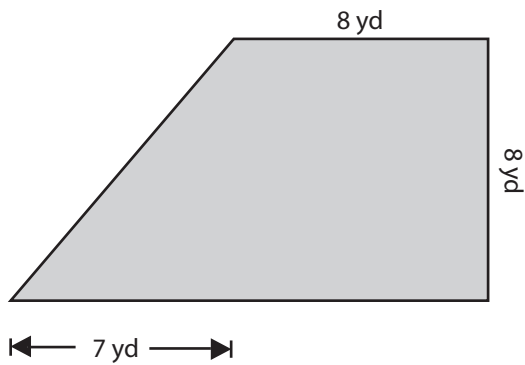
Area = **74.13 m<sup>2</sup>**

2)



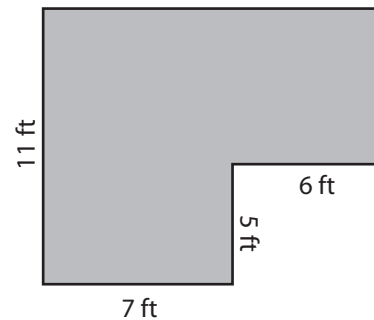
Area = **174 cm<sup>2</sup>**

3)



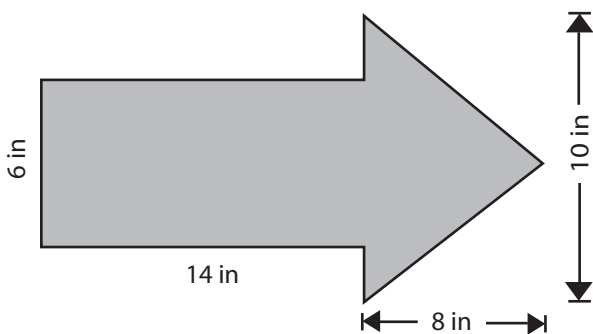
Area = **92 yd<sup>2</sup>**

4)



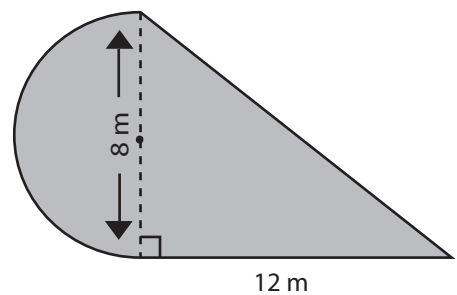
Area = **113 ft<sup>2</sup>**

5)



Area = **124 in<sup>2</sup>**

6)



Area = **73.12 m<sup>2</sup>**