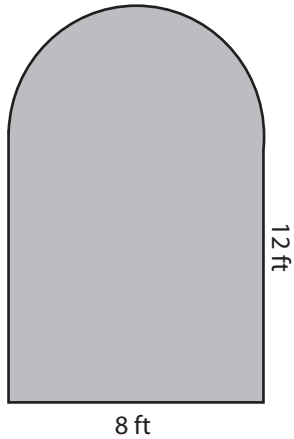


Area - Compound Shapes

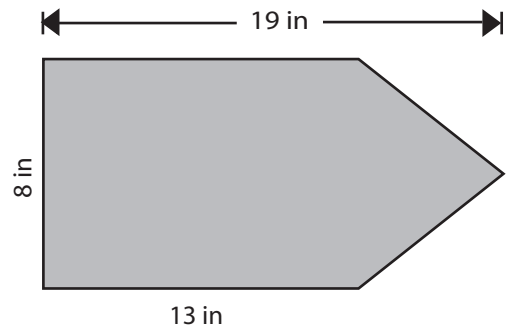
Find the area of each figure. Round the answer to 2 decimal places if necessary.

1)



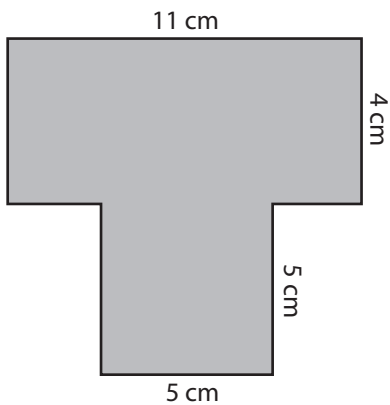
Area = _____

2)



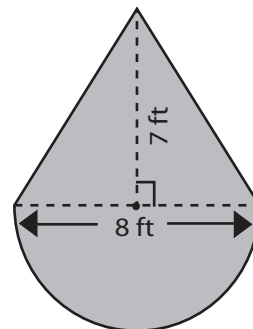
Area = _____

3)



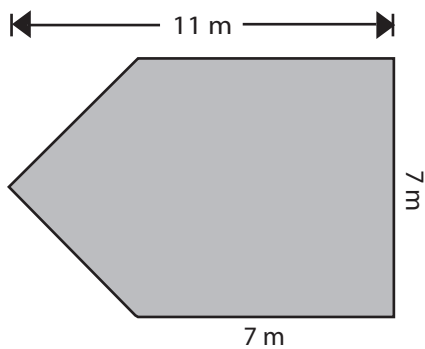
Area = _____

4)



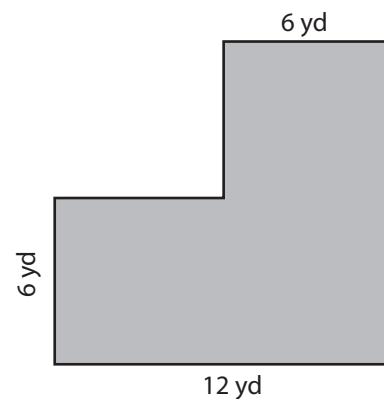
Area = _____

5)



Area = _____

6)

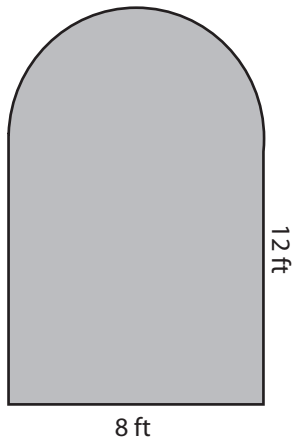


Area = _____

Answer Key

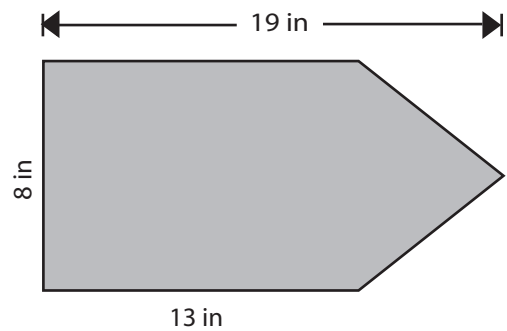
Find the area of each figure. Round the answer to 2 decimal places if necessary.

1)



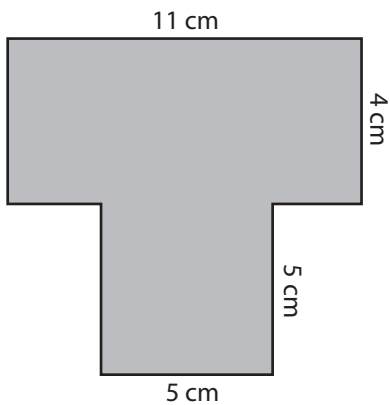
$$\text{Area} = \underline{121.12 \text{ ft}^2}$$

2)



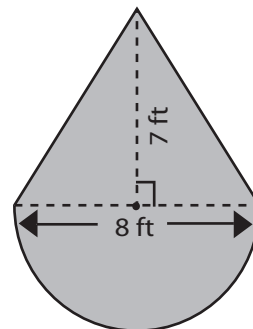
$$\text{Area} = \underline{128 \text{ in}^2}$$

3)



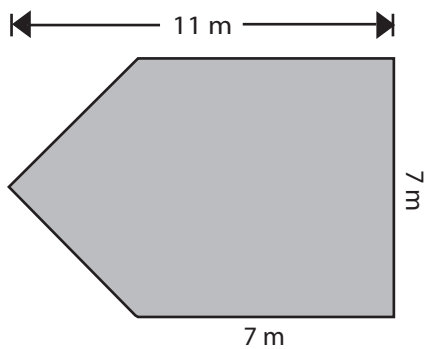
$$\text{Area} = \underline{69 \text{ cm}^2}$$

4)



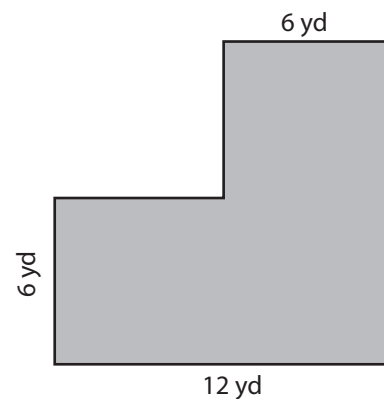
$$\text{Area} = \underline{53.12 \text{ ft}^2}$$

5)



$$\text{Area} = \underline{63 \text{ m}^2}$$

6)



$$\text{Area} = \underline{108 \text{ yd}^2}$$