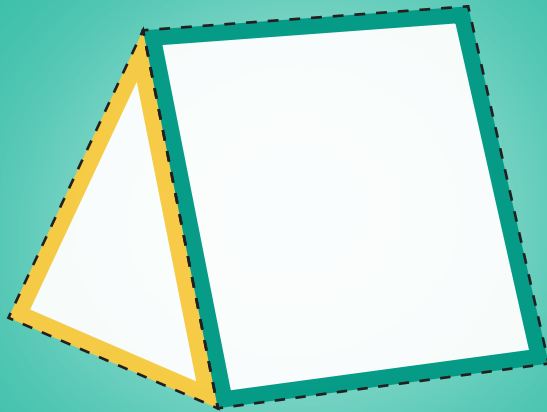


Build a
**TRIANGULAR
PRISM**



Cut-Fold-Glue 3D Geometry Shape

Build a **TRIANGULAR PRISM**

License

One single user license for personal use.

This license lets you use these files in your classroom or otherwise. You may print as many copies as you wish for your students to use, but you may not share, sell or otherwise redistribute the graphics of this download. Please buy additional license (half price) if you wish to share with other teachers.

SayBeluga retains the copyright to all graphics and images included in this download.

Description

Let students cut, fold and glue a 3D triangular prism. High quality printable. Great hands-on activity for geometry to really understand 2D-3D relationships. Let kids draw a real life object on the triangular prism before folding to get them to think ahead. Then let them draw an image of the triangular prism after folding to experience how a 3D shape is represented in 2D. Or use the second triangular prism to see a wireframe effect.

Included in this download

1 pdf with two different foldable triangular prisms.

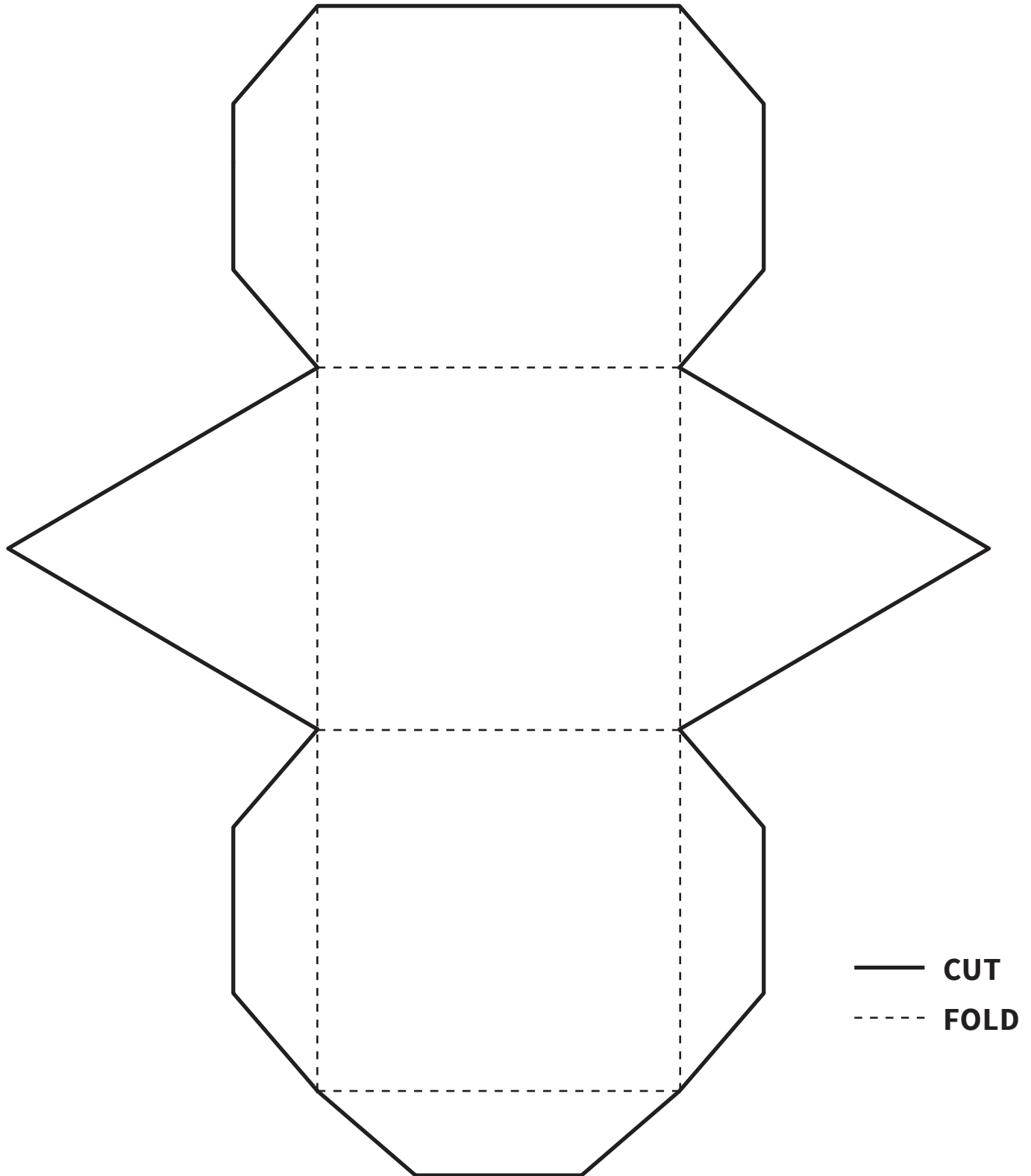
Get in touch

I'd love to get feedback from you, so please feel free to leave a message. Let me know if you need other sizes/variations or have other requests!

This shape is part of a series of foldable 3D shapes. Follow me to get an update when more 3D foldables are uploaded!

My store: www.teacherspayteachers.com/Store/Saybeluga

Build a
**TRIANGULAR
PRISM**



Build a
**TRIANGULAR
PRISM**

